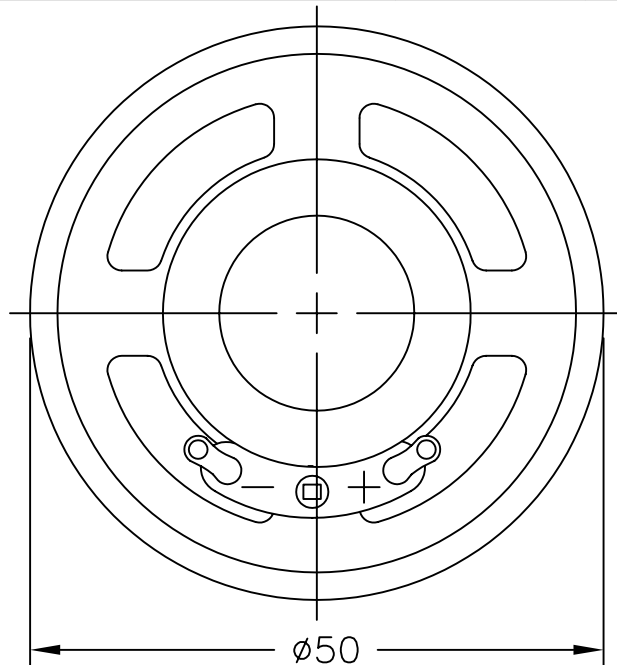


THIS DOCUMENT CONTAINS DATA PROPRIETARY TO PROJECTS UNLIMITED, INC. ANY USE OR REPRODUCTION, IN ANY FORM, WITHOUT PRIOR WRITTEN PERMISSION OF PROJECTS UNLIMITED, INC. IS PROHIBITED.
© 2005, Projects Unlimited Inc.

SPECIFICATIONS

PARAMETERS	VALUES	UNITS
RATED INPUT POWER	1.5	W
MAX INPUT POWER	3	W
IMPEDANCE	8±15%	OHM
OUTPUT SPL @ 1W/1M (AT 1.0, 1.2, 1.5, 2.0 kHz)	83±3	dB
DISTORTION (MAX.)	5%	-
RESONANT FREQUENCY	800±20%	Hz
FREQUENCY RANGE	800 ~ 5000	Hz
HOUSING MATERIAL	METAL	-
CONE MATERIAL	MYLAR	-
MAGNET MATERIAL	N35	-
OPERATING TEMPERATURE	-20 ~ +55	°C
WEIGHT	15	grams

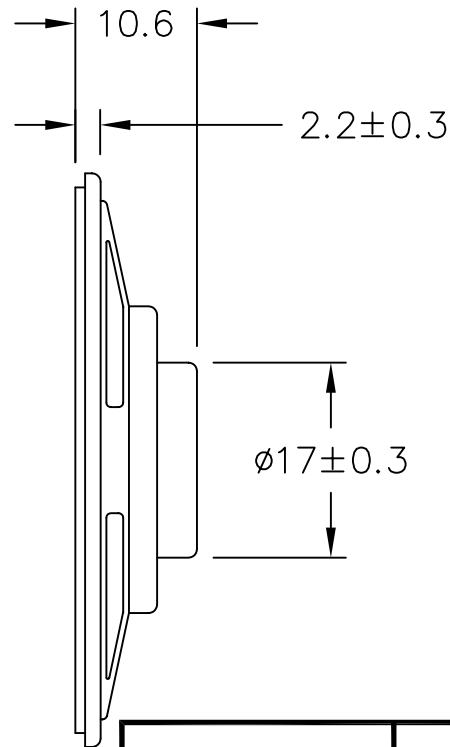


NOTES:

1. ALL DIMENSIONS ARE IN MILLIMETERS.
2. SPECIFICATION SUBJECT TO CHANGE OR WITHDRAWAL WITHOUT NOTICE.
3. THIS PART IS RoHS 2002/95/EC COMPLIANT.

FILE NAME
AS05008MR-3-R.DWG

REVISIONS			
LTR	DESCRIPTION	DATE	APPROVED
-	RELEASED FROM ENGINEERING	2/20/06	
A	REVISED RESONANT FREQ. TOLERANCE	1/23/07	D.F.



UNLESS OTHERWISE SPECIFIED:
DIMENSIONS ARE IN MILLIMETERS, TOLERANCES ARE ±0.5 AND ANGLES ARE ±3°.



projects®
unlimited

Dayton, Ohio

SPEAKER

APPROVALS	DATE
DRAWN <i>J.A.F.</i>	02/06
CHECKED <i>E.P.</i>	02/06
APPROVED <i>B.R.</i>	02/06

SIZE
A

DRAWING NO.
AS05008MR-3-R

DO NOT SCALE DRAWING

SCALE: N.T.S.

SHEET 1 OF 1